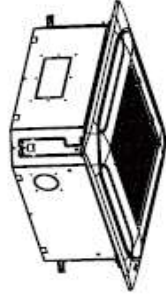
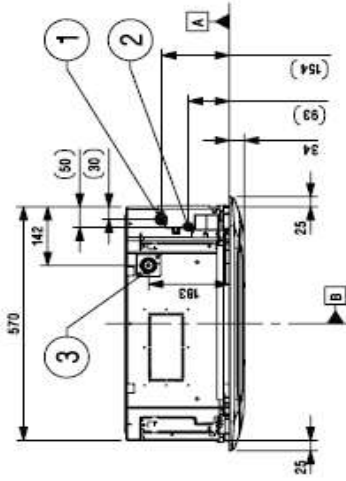
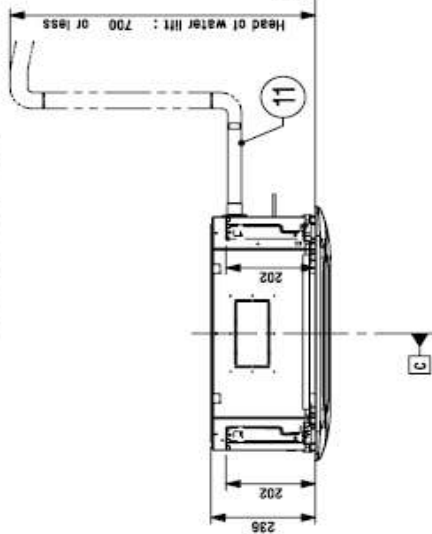
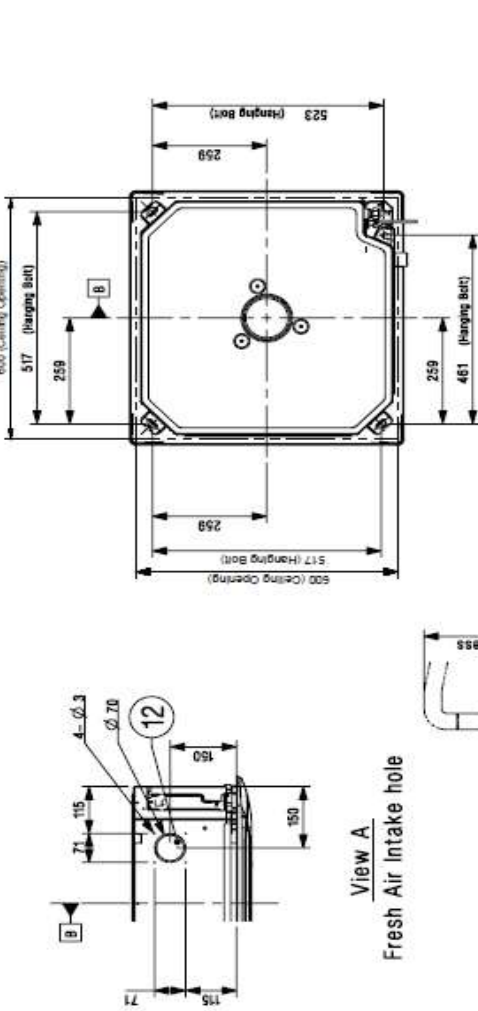


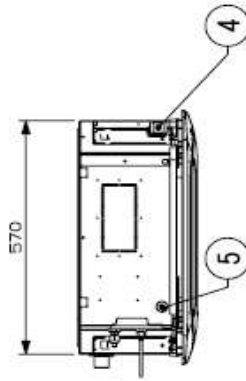
# Kazetová jednotka MT06~08R / CT09~12F

[Unit: mm]

Chassis Code : TR



3D View



(Keep this distance between the bottom surface of body and Ceiling Surface)

**Symbols**

- View Direction
- Datum line
- Refrigerant/Drain Piping Direction

**Note**

1. Unit should be installed in compliance with the installation manual in the product box.
2. Unit should be grounded in accordance with the local regulations or applicable national codes.
3. All electrical components and materials to be supplied from the site must comply with the local regulations or international codes.
4. Electric characteristics chapter should be considered for electrical work and design. Especially, the power cable and circuit breaker should be selected in accordance with that.

**Installation position of body**

No.	Part Name	Knock-out type	Description
12	Fresh Air Intake Hole	Supplied with product	
11	Flexible Drain Hose	Supplied with panel	
10	Decoration Corner Display Cover	Supplied with panel	
9	Decoration Corner Cover	Supplied with panel	
8	Decoration Panel(Accessory)	PT-QAGW0	
7	Air Outlet	-	
6	Air Intake	-	
5	Wired remote controller wire routing hole	-	
4	Power and Communication cable routing hole	-	
3	Drain Pipe Connection	-	
2	Liquid Pipe Connection	-	
1	Gas Pipe Connection	-	

