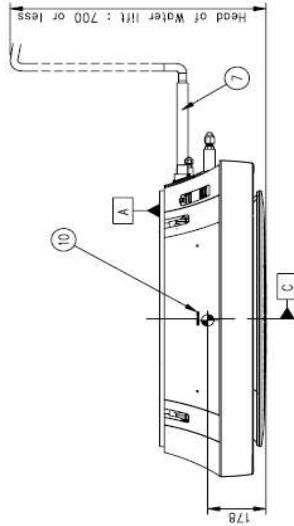
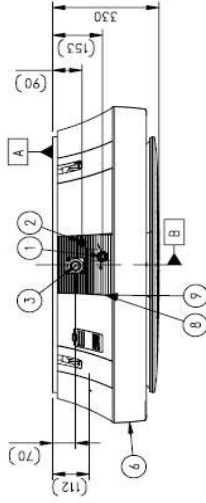
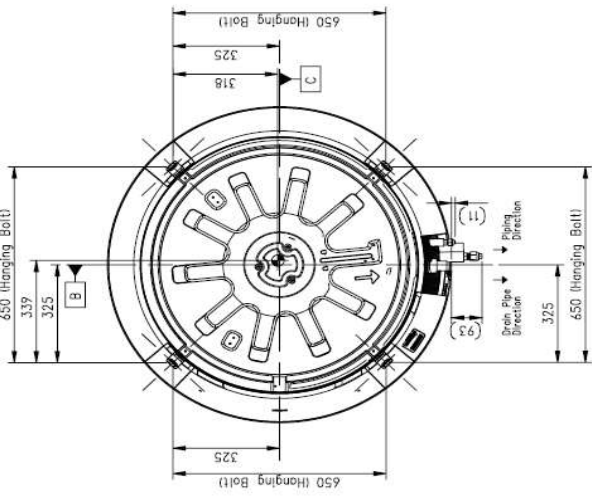
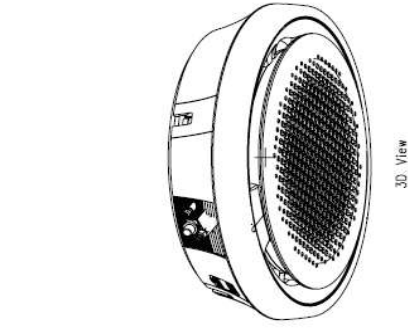


Kazetová jednotka kruhová UT36~48F

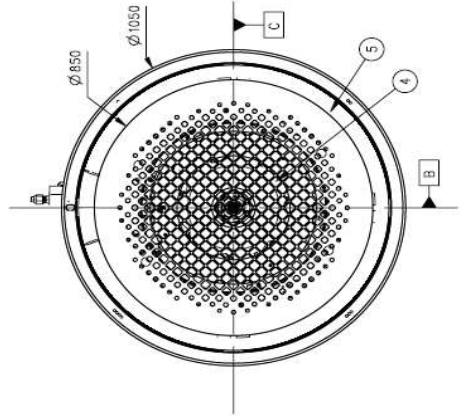
[Unit: mm]
 Chassis code : TY
 DWG No. : TBA36428201_rev01



● Gravity Point

Note

1. Unit should be installed in compliance with the installation manual in the product box.
2. Unit should be grounded in accordance with the local regulations or applicable national codes.
3. All electrical components and materials to be supplied from the site must comply with the local regulations or international codes.



10	Control Box	-
9	Wired remote controller wire routing hole	-
8	Power and communication cable routing hole	-
7	Flexible Drain Hose	Supplied with product
6	Decor Panel Assembly	-
5	Air Outlet	-
4	Air Inlet	-
3	Drain Pipe Connection	-
2	Liquid Pipe Connection	-
1	Gas Pipe Connection	-
No.	Part Name	Description